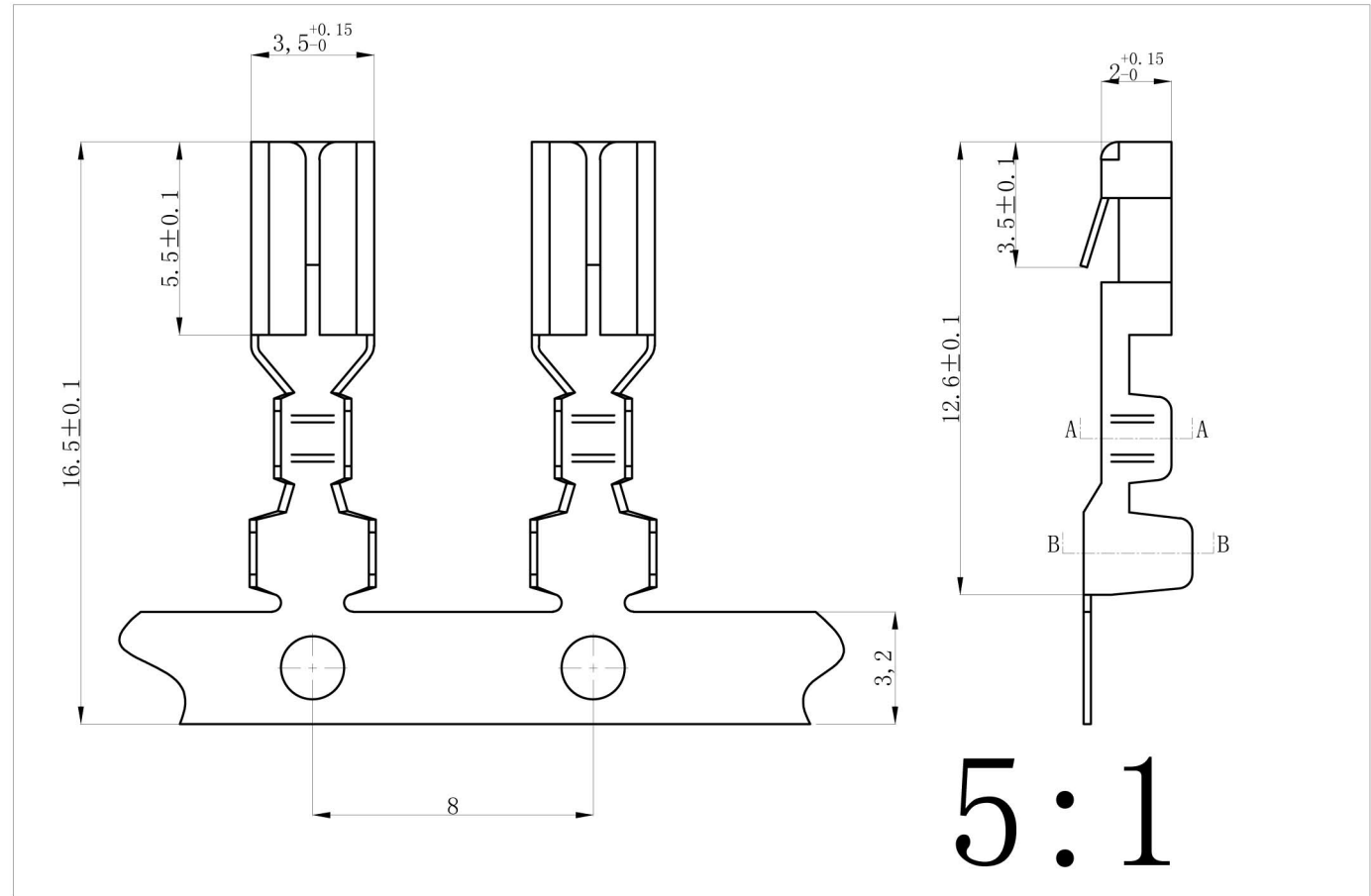
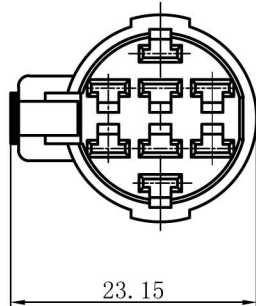
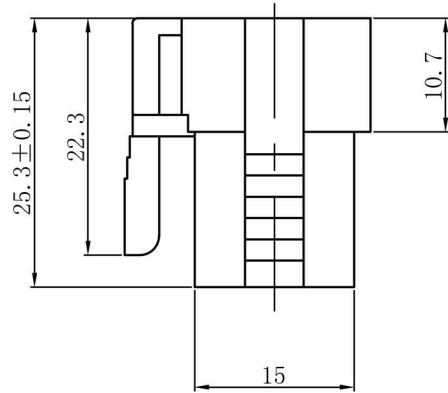
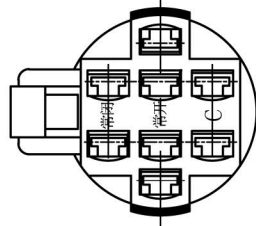


UNIT: mm

Wire length : 15cm  
Wire diameter : RV 0.5<sup>2</sup>



HBS1-AGQ-5C



DR.	APPD.	SCALE.	countersign.	Date.	(TITLE):
		1.5:1		2020.4.2	HBS1-AGQ
PW.		P.	1 (1/1)		(DWG NO):